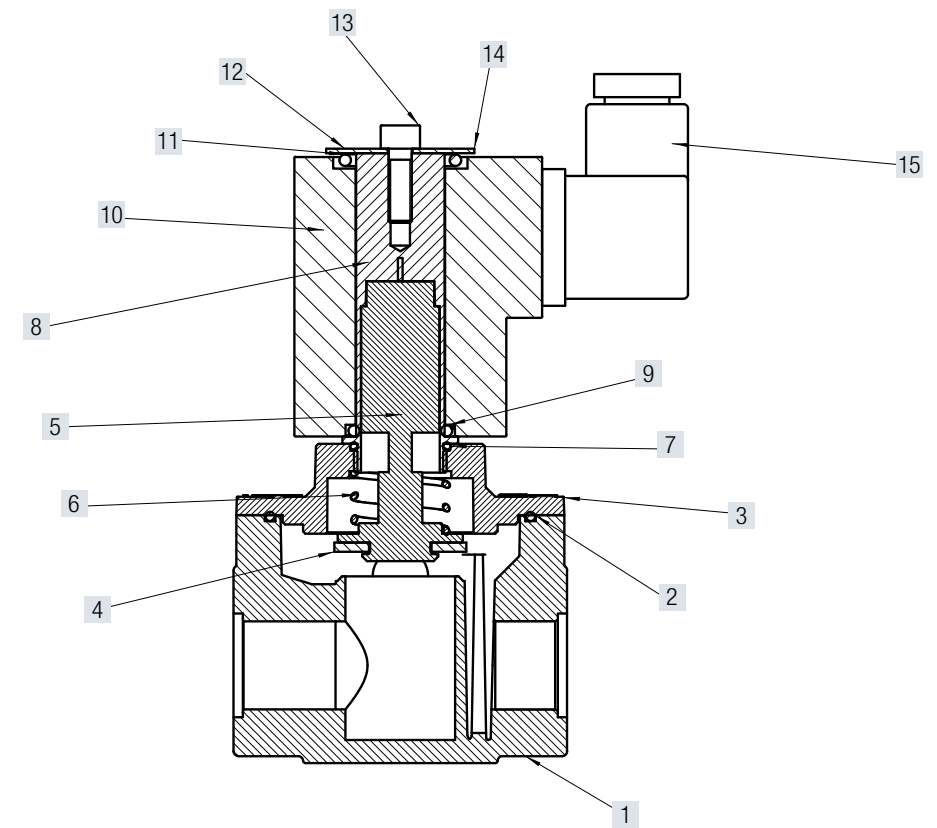


AUTOMATIC GAS VALVES Fast Opening / Fast Closing
1/2", 3/4" and 1" – Pmax 360 mbar



Code	Description	Dimension	Pmax
AV015FO	Gas valve fast opening	1/2"	360 mbar
AV020FO	Gas valve fast opening	3/4"	360 mbar
AV025FO	Gas valve fast opening	1"	360 mbar
AVD25FO	Gas valve fast opening	DN25	360 mbar
AV015FO-FR	Gas valve fast opening Flow regulation	1/2"	360 mbar
AV020FO-FR	Gas valve fast opening Flow regulation	3/4"	360 mbar
AV025FO-FR	Gas valve fast opening Flow regulation	1"	360 mbar
AVD25FO-FR	Gas valve fast opening Flow regulation	DN25	360 mbar
CPI-1	Control position indicator		

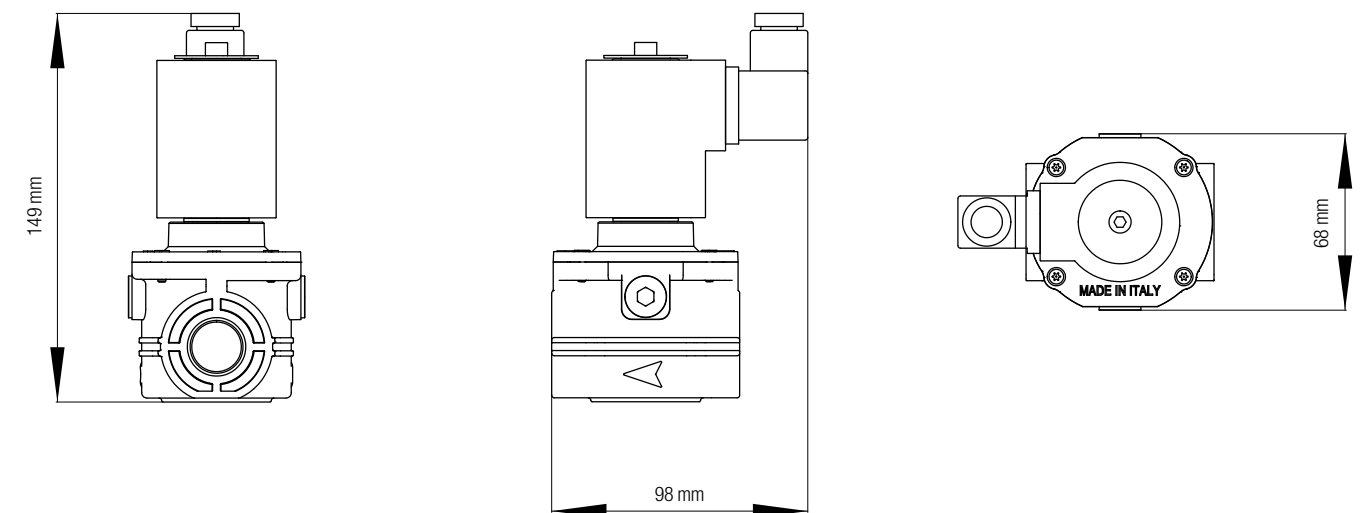
TECHNICAL FEATURES

Pmax	360 mbar
Inlet connection - outlet	Thread gas 1/2" 3/4" and 1" - ISO 228 DN25 - Sliding Aluminium flange PN10
Opening time	<1 second
Closing time	<1 second
Max number of operations	20 per minute
Incorporated AISI 303 steel mesh filter on request	
Supply voltage	230V (-15%+10%) 50-60Hz 110V (-15%+10%) 50-60Hz 24Vdc (-15%+10%) 50-60Hz
Power	15 VA Coils to class F copper wire class H
Use	Non - aggressive gases - Family 1 - 2 - 3 and air
Test point	3 connections Screw 1/4" NPT
Working Temperature	- 20 °C - 60 °C
Approval	EN161
Protection degree	IP65

Materials:

Complete Body	Die - Cast Aluminium Gd - AISi12Cu - EN AB 46100
----------------------	--

1	Body	9	O-Ring
2	O-Ring	10	Coil
3	Cover	11	O-Ring
4	Gasket	12	Washer
5	Plunger	13	Screw
6	Spring	14	Washer
7	O-Ring	15	Connector
8	Pilot		



Dimension	1/2"	3/4"	1"
WEIGHT (kgs)	0,8	0,8	0,8